

SEWAGE FROM ADMIN BUILDING & DRIVERS REST ROOM TO BE CONNECTED TO DIAL STP

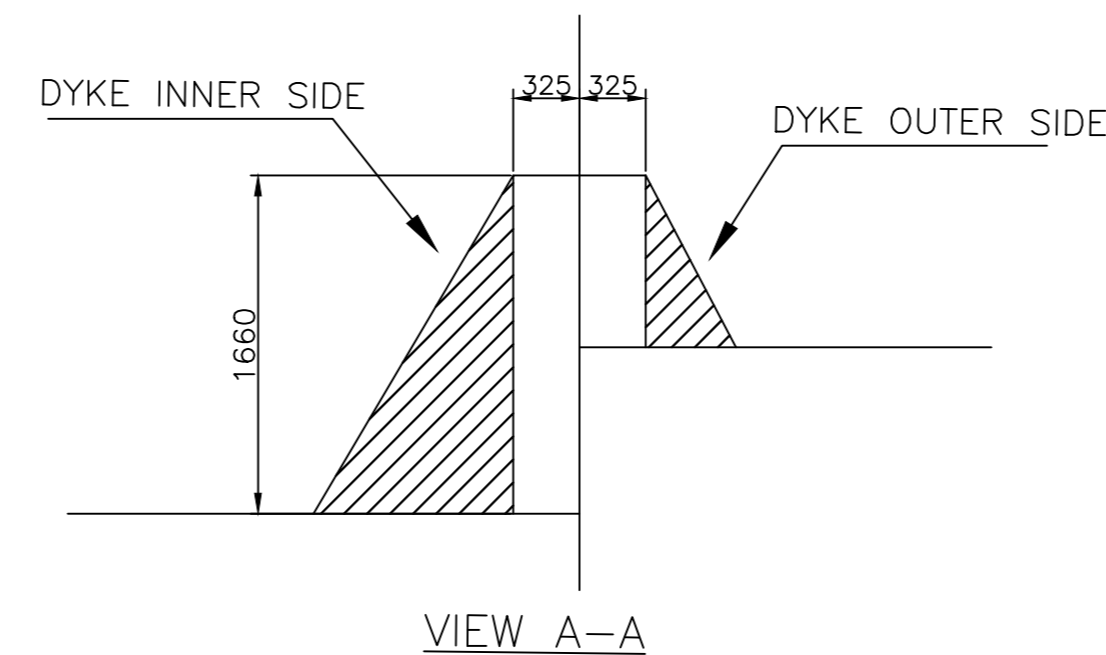
DIAL STP

STORE ROOM & DRIVER REST ROOM AREA SEWAGE

ADMIN BUILDING AREA SEWAGE

LEGEND

- |                                      |                             |
|--------------------------------------|-----------------------------|
| 1. SECURITY CABIN (4 NOS)            | 17. WATER STORAGE TANK      |
| 2. ADMIN AND CANTEN BUILDING         | 18. FIRE HYDRANT PUMP HOUSE |
| 3. PUMP HOUSE                        | 19. DIP PLATFORM            |
| 4. TESTING RING                      | 20. TUBE WELL NO.1          |
| 5. LT/HT/DG AND CONTROL ROOM         | 21. OVER HEAD WATER TANK    |
| 6. DIESEL TANK FARM                  | 22. COOLING TOWER           |
| 7. ATF STORAGE TANK FARM             | 23. U.G. SLOP TANK          |
| 8. TLD PUMP HOUSE                    | 24. WATER STORAGE TANK      |
| 9. HIGH FLOOD LIGHT TOWER (20m HIGH) | 25. TUBE WELL NO.2          |
| 10. REPAIR SHOP                      | 26. TUBE WELL NO.3          |
| 11. METER CALIBRATION UNIT (5KL)     | 27. A.O./TLF ROOM           |
| 12. TANK LORRY DECANTING GANTRY      | 28. WATER STORAGE TANK      |
| 13. REPAIR SHOP HPC/LOC              | 29. ROAD FOR FIRE TANDER    |
| 14. U.G. STORAGE TANK (2 NOS)        | 30. HIGH MUST TOWER (2NOS)  |
| 15. PARKING AREA                     | 31. FROM TANK               |
| 16. FUELLERS PARKING                 | 32. CONNECTION POINT        |



REV.	DATE	DESCRIPTION	DRN BY	CHKD BY	APPD. BY
02	18-04-2015	REVISED	VS	IV	DM
01	03-04-2015	REVISED	PALASH	PS	DM
00	24-11-2014	ISSUED AS BUILT	PALASH	PS	DM

DELHI AVIATION FUEL FACILITY (P) LTD.  
SHAHABAD MOHMADPUR, SECTOR-23, DWARKA, NEW DELHI, INDIA

GREENLEAF ENGINEERING LTD.  
SECTOR-63, E-156, FIRST FLOOR, NOIDA, 201301, (U.P.), INDIA

TITLE: PLOT PLAN OF COMPLETE FUEL FARM  
SHEET NO: 1 OF 1  
DRAWING NO: DAFFPL-GEL-PP-005  
SCALE: 1:360